



# KRUPP

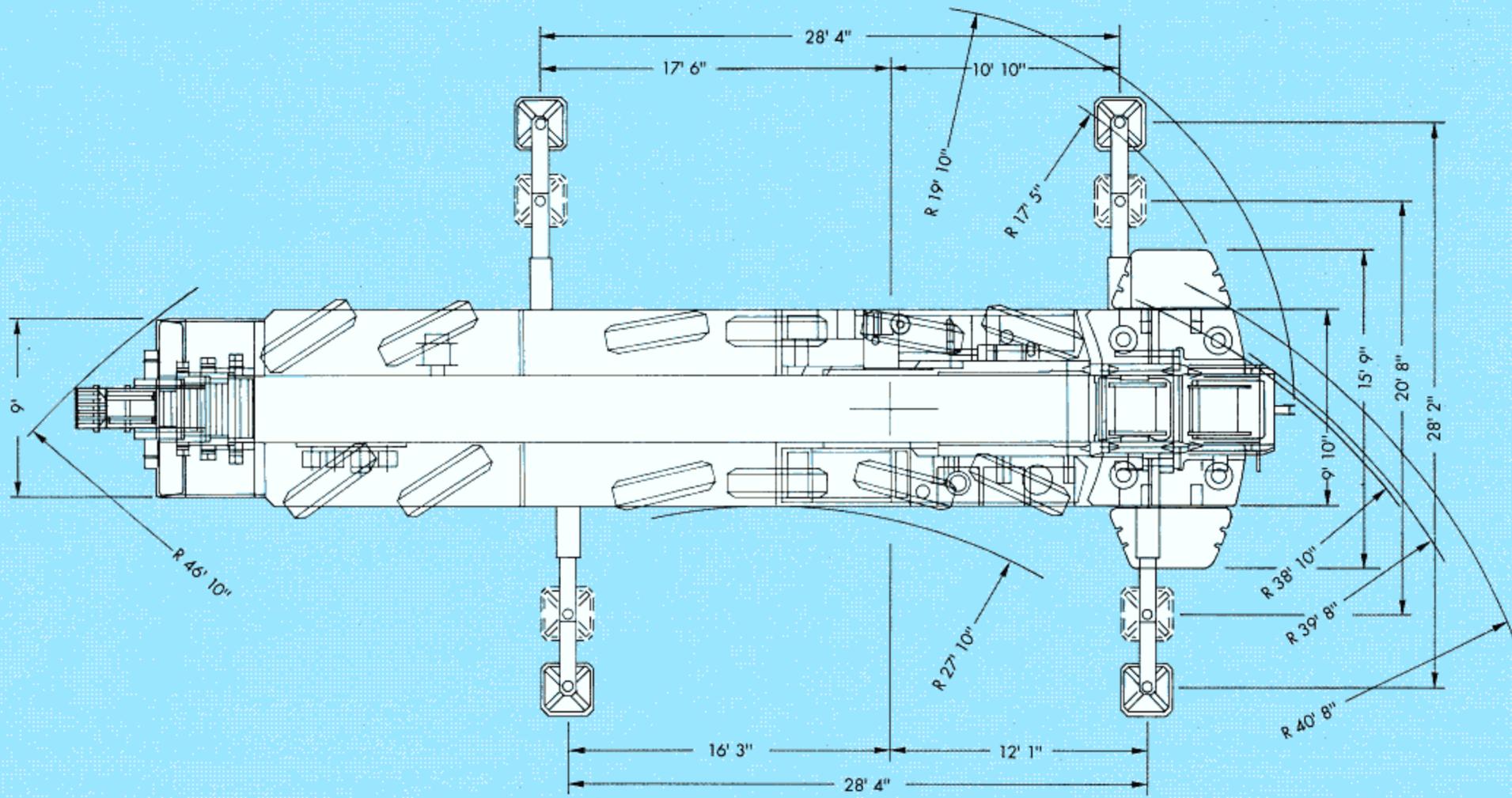
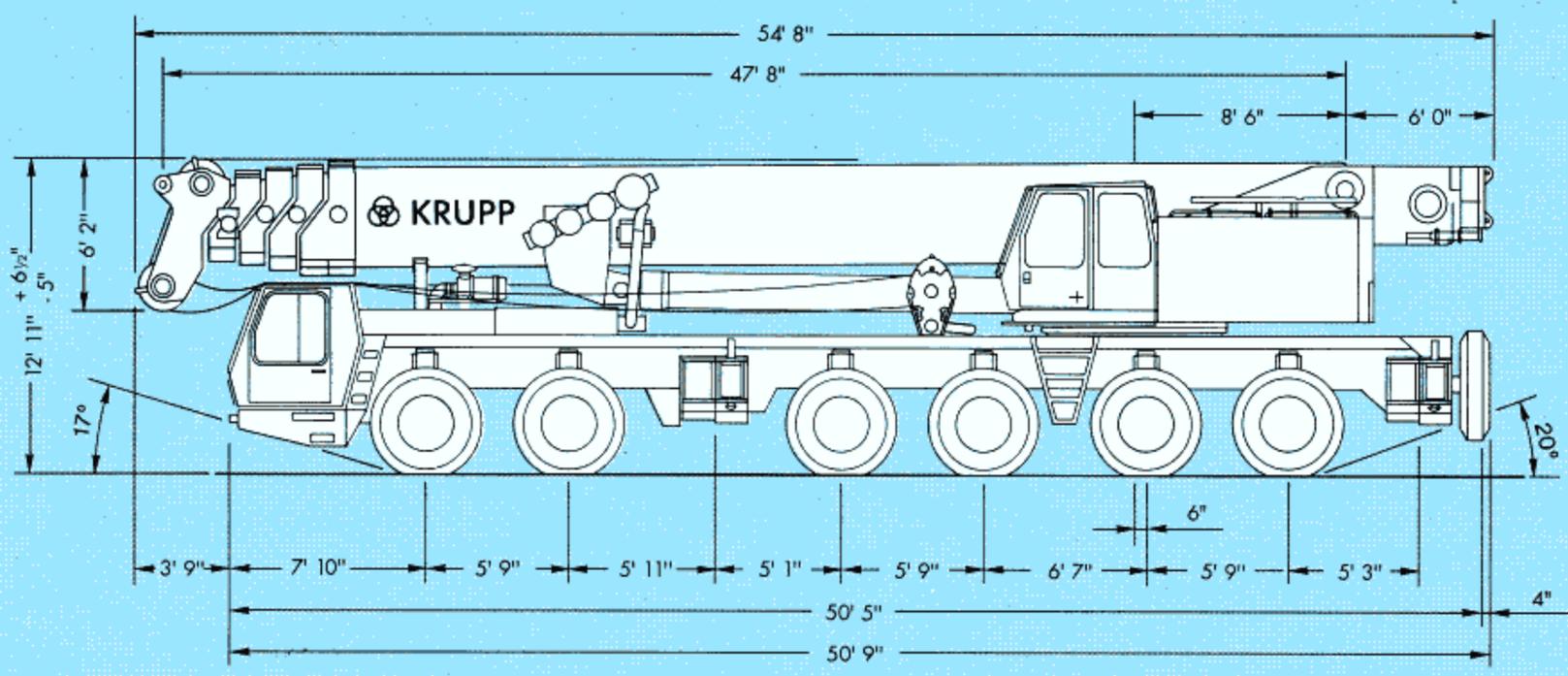
**300 ton Capacity  
All-Terrain-Crane**



# KMK 6300



# Dimensions



# Working range

Main boom



48 - 174 ft

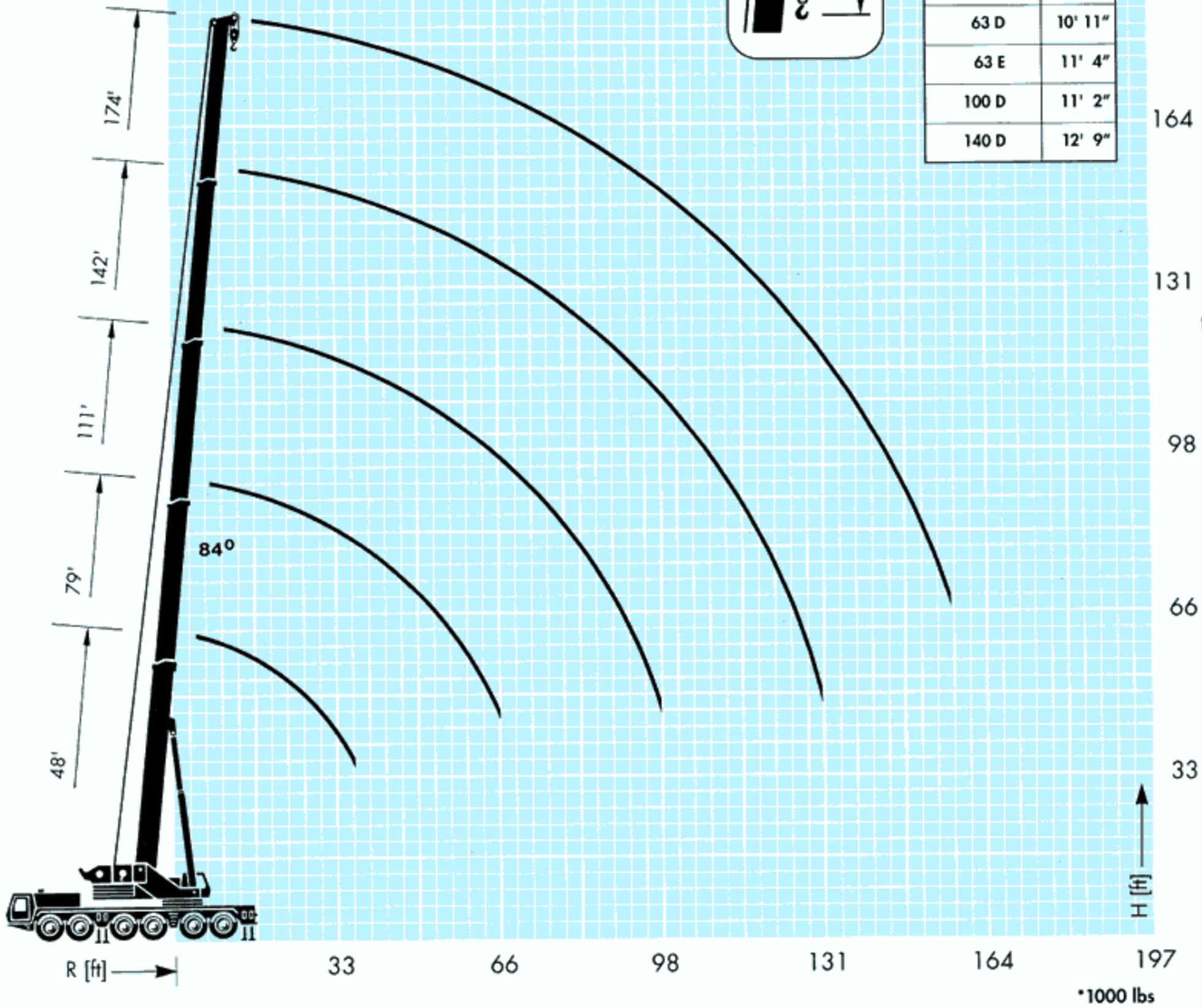


360°

**132\***



Hook block (t)	H
30 E	10' 3"
63 D	10' 11"
63 E	11' 4"
100 D	11' 2"
140 D	12' 9"



# Main boom

Lifting capacities in 1000 lbs



Counterweight **132,2\*** lbs

Radius ft	Boom length												Radius ft					
	48 ft*	48 ft	63 ft	79 ft	95 ft	101 ft	111 ft	133 ft	142 ft	164 ft	174 ft							
** 9	600.0																** 9	
10	480.0	390.0	328.0	304.0	218.0												10	
15	365.0	310.0	306.0	304.0	218.0	182.0	186.0										15	
20	283.0	252.0	250.0	250.0	208.0	162.0	165.0	116.0	99.0	75.0							20	
25	225.0	213.0	210.0	210.0	184.0	142.0	154.0	116.0	99.0	75.0	65.0						25	
30	185.0	182.0	180.0	180.0	164.0	126.0	140.0	115.0	99.0	75.0	65.0						30	
35	155.0	156.0	153.0	153.0	147.0	113.0	127.0	107.0	99.0	75.0	65.0						35	
40			128.0	131.0	127.0	101.0	115.0	98.0	92.0	75.0	65.0						40	
45			109.0	112.0	108.0	92.0	103.0	89.0	84.0	72.0	65.0						45	
50			94.0	97.0	94.0	84.0	93.0	82.0	78.0	70.0	65.0						50	
55				85.0	82.0	77.0	81.0	75.0	72.0	65.0	63.0						55	
60				75.0	71.0	71.0	71.0	69.0	66.0	60.0	59.0						60	
65				65.0	62.0	66.0	61.0	64.0	61.0	56.0	56.0						65	
70					54.0	61.0	53.0	56.0	56.0	52.0	52.0						70	
75					47.0	54.0	53.0	50.0	50.0	48.0	49.0						75	
80						48.0	49.0	43.8	45.0	45.0	46.0						80	
85						43.0	43.8	40.8	39.6	41.8	43.2						85	
90							39.4	38.4	37.2	39.0	40.0						90	
95								35.4	36.2	35.0	36.0						95	
100									34.4	33.0	32.6						100	
105									32.6	31.4	28.6						105	
110									29.8	30.0	25.8						110	
115									27.2	28.0	23.2						115	
120										25.8	21.0						120	
125										23.6	19.0						125	
130										21.6	17.0						130	
135											15.2						135	
140											13.6						140	
145											12.0						145	
150											10.6						150	
155												10.2					155	
	T1	0	0	0.5	0.5	0	0	1.0	0	0	1.0	0	0	1.0	0	1.0	1.0	T1
	T2	0	0	0	0.5	1.0	0	0.5	1.0	0	1.0	1.0	0	1.0	1.0	1.0	1.0	T2
	T3	0	0	0	0	0	1.0	0	0.7	1.0	0	1.0	1.0	0.7	1.0	1.0	1.0	T3
	T4	0	0	0	0	0	0	0	0	0.7	0	0	1.0	0	0.7	0	1.0	T4

Counterweight **88,2\*** lbs

Radius ft	Boom length												Radius ft					
	48 ft	63 ft	79 ft	95 ft	101 ft	111 ft	133 ft	142 ft	164 ft	174 ft								
10	384.0	328.0	304.0	218.0														10
15	304.0	302.0	302.0	218.0	182.0	186.0												15
20	248.0	246.0	246.0	208.0	162.0	165.0	116.0	99.0	75.0									20
25	209.0	206.0	207.0	184.0	142.0	154.0	116.0	99.0	75.0	65.0								25
30	166.0	163.0	166.0	163.0	126.0	140.0	115.0	99.0	75.0	65.0								30
35	136.0	133.0	136.0	132.0	113.0	127.0	107.0	99.0	75.0	65.0								35
40		110.0	113.0	110.0	101.0	110.0	98.0	92.0	75.0	65.0								40
45		90.0	94.0	90.0	92.0	89.0	89.0	84.0	72.0	65.0								45
50		75.0	79.0	75.0	82.0	77.0	77.0	78.0	70.0	65.0								50
55			71.0	63.0	70.0	71.0	65.0	66.0	65.0	63.0								55
60			61.0	53.0	60.0	61.0	58.0	57.0	60.0	59.0								60
65			53.0	44.0	52.0	53.0	54.0	52.0	53.0	54.0								65
70				37.6	45.0	46.0	50.0	48.0	46.0	47.0								70
75				31.6	39.4	40.0	44.0	45.0	39.6	40.8								75
80					37.4	35.0	39.0	40.0	34.6	35.6								80
85					34.8	32.4	34.6	35.5	30.0	31.2								85
90						30.4	30.6	31.6	26.2	27.2								90
95							28.6	27.2	28.2	23.8								95
100								24.2	25.2	20.0								100
105								21.6	22.4	17.2								105
110								19.2	20.0	15.0								110
115								17.0	17.8	12.8								115
120									16.0	11.0								120
125									14.2	9.2								125
130									12.6	7.6								130
135										6.2								135
140										5.0								140
145										3.8								145
150										2.6								150
155											2.4							155
	T1	0	0.5	0.5	0	0	1.0	0	0	1.0	0	0	1.0	0	1.0	1.0	1.0	T1
	T2	0	0	0.5	1.0	0	0.5	1.0	0	1.0	1.0	0	1.0	1.0	1.0	1.0	1.0	T2
	T3	0	0	0	0	1.0	0	0.7	1.0	0	1.0	1.0	0.7	1.0	1.0	1.0	1.0	T3
	T4	0	0	0	0	0	0	0	0.7	0	0	1.0	0	0.7	0	1.0	0.7	T4

\* over rear only; 28'4" x 28'2" ft. outrigger base

\*\* with special lift equipment

\*1000 lbs

# Working range

Lattice extension



48 - 174 ft

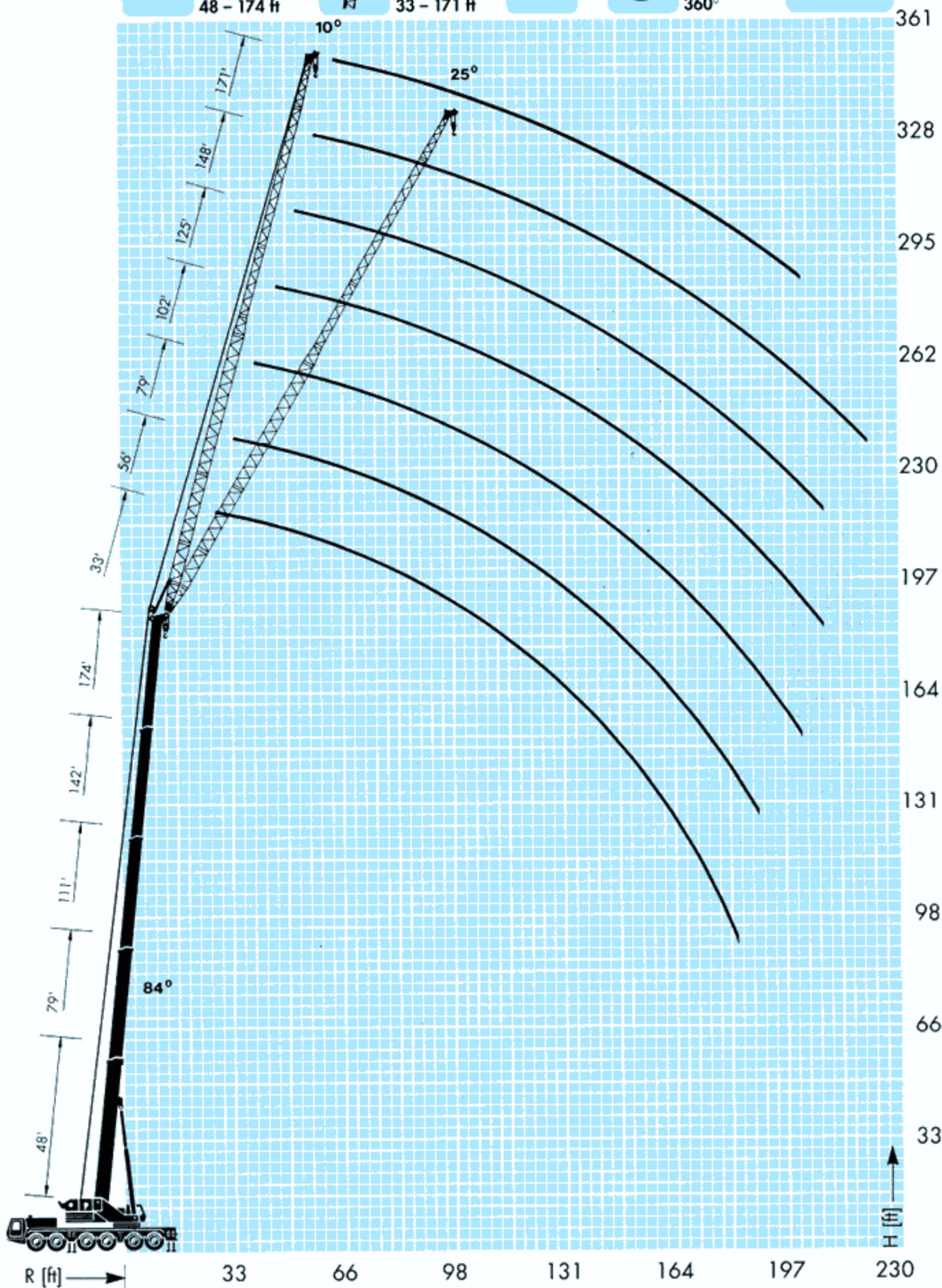


33 - 171 ft



360°

**132\***



\*1000 lbs



# Main boom + lattice extension (10° off-set)

Lifting capacities in 1000 lbs



33 - 171 ft



360°

Counterweight **132,2\*** lbs

Radius ft	Main boom length - 174'							Radius ft
	33 ft	56 ft	79 ft	102 ft	125 ft	148 ft	171 ft	
30	39.2							30
35	39.2							35
40	39.2	29.2						40
45	38.2	27.4						45
50	35.2	25.8	19.4					50
55	33.8	24.4	18.4					55
60	32.0	23.2	17.6	13.6				60
65	30.4	22.2	16.8	13.2				65
70	29.2	21.4	16.2	12.8				70
75	28.0	20.6	15.6	12.4	10.4			75
80	27.0	19.8	15.2	12.0	10.0	6.6		80
85	26.2	19.2	14.6	11.6	9.8	6.6		85
90	25.4	18.6	14.2	11.4	9.6	6.4		90
95	24.6	18.2	14.0	11.0	9.4	6.2	5.0	95
100	24.2	17.8	13.6	10.8	9.2	6.0	5.0	100
105	23.6	17.4	13.2	10.6	9.0	5.8	4.8	105
110	23.2	17.0	13.0	10.4	8.8	5.8	4.8	110
115	22.8	16.8	12.8	10.2	8.6	5.6	4.6	115
120	21.8	16.4	12.6	10.0	8.6	5.6	4.6	120
125	19.6	16.2	12.4	9.8	8.4	5.4	4.6	125
130	17.6	16.0	12.2	9.8	8.2	5.4	4.4	130
135	15.8	16.0	12.2	9.6	8.2	5.4	4.4	135
140	14.2	15.4	12.0	9.6	8.2	5.2	4.4	140
145	12.6	13.8	12.0	9.4	8.0	5.2	4.2	145
150	11.0	12.4	11.8	9.4	8.0	5.2	4.2	150
155	9.8	11.0	11.8	9.4	7.8	5.0	4.0	155
160	8.4	9.6	11.4	9.2	7.8	5.0	3.8	160
165	7.2	8.4	10.2	9.2	7.8	5.0	3.6	165
170	6.0	7.2	9.0	9.2	7.8	5.0	3.4	170
175	5.0	6.2	8.0	8.6	7.4	5.0	3.2	175
180	4.0	5.2	6.8	7.6	7.2	4.8	3.0	180
185	3.0	4.2	5.8	6.6	6.8	4.8	2.8	185
190	2.2	3.2	5.0	5.6	6.2	4.6	2.6	190
195		2.4	4.0	4.6	5.2	4.4	2.4	195
200			3.2	3.8	4.4	4.2	2.2	200
205			2.4	3.0	3.6	4.0	2.2	205
210				2.2	2.8	4.0		210
215					2.0	3.6		215
220						2.8		220
225						2.2		225

Counterweight **88,2\*** lbs

Radius ft	Main boom length - 174'							Radius ft
	33 ft	56 ft	79 ft	102 ft	125 ft	148 ft	171 ft	
30	39.2							30
35	39.2							35
40	39.2	29.2						40
45	38.2	27.4						45
50	35.8	25.8	19.4					50
55	33.8	24.4	18.4					55
60	32.0	23.2	17.6	13.6				60
65	30.4	22.2	16.8	13.2				65
70	29.2	21.4	16.2	12.8				70
75	28.0	20.6	15.6	12.4	10.4			75
80	27.0	19.8	15.2	12.0	10.0	6.6		80
85	26.2	19.2	14.6	11.6	9.8	6.6		85
90	25.4	18.6	14.2	11.4	9.6	6.4		90
95	24.6	18.2	14.0	11.0	9.4	6.2	5.0	95
100	21.8	17.8	13.6	10.8	9.2	6.0	5.0	100
105	19.0	17.4	13.2	10.6	9.0	5.8	4.8	105
110	16.4	17.0	13.0	10.4	8.8	5.8	4.8	110
115	14.2	16.0	12.8	10.2	8.6	5.6	4.6	115
120	12.2	13.8	12.6	10.0	8.6	5.6	4.6	120
125	10.4	12.0	12.4	9.8	8.4	5.4	4.6	125
130	8.6	10.2	12.2	9.8	8.2	5.4	4.4	130
135	7.0	8.6	10.6	9.6	8.2	5.4	4.4	135
140	5.6	7.2	9.2	9.6	8.2	5.2	4.4	140
145	4.4	5.8	7.8	8.6	8.0	5.2	4.2	145
150	3.2	4.6	6.4	7.4	8.0	5.2	4.2	150
155	2.0	3.4	5.2	6.2	6.8	5.0	4.0	155
160		2.4	4.2	5.0	5.8	5.0	3.8	160
165			3.2	4.0	4.6	5.0	3.6	165
170			2.2	3.0	3.6	5.0	3.4	170
175					2.6	4.2	3.2	175
180						3.4	3.0	180
185						2.4	2.8	185

# Main boom + lattice extension (25° off-set)

Lifting capacities in 1000 lbs



33 - 171 ft



360°

Counterweight **132,2\*** lbs

Radius ft	Main boom length - 174'							Radius ft
	33 ft	56 ft	79 ft	102 ft	125 ft	148 ft	171 ft	
45	35.8							45
50	34.0							50
55	32.2							55
60	30.8	21.8						60
65	29.6	21.0						65
70	28.4	20.4						70
75	27.4	19.8	14.8					75
80	26.6	19.2	14.4					80
85	26.0	18.6	14.0					85
90	25.2	18.2	13.8	10.8				90
95	24.6	17.8	13.4	10.6				95
100	24.2	17.6	13.2	10.4				100
105	23.8	17.2	13.0	10.2	8.6			105
110	23.4	17.0	12.8	10.2	8.4			110
115	23.0	16.8	12.8	10.0	8.4			115
120	22.2	16.6	12.6	9.8	8.4			120
125	20.6	16.6	12.4	9.8	8.2	5.4		125
130	18.6	16.4	12.4	9.8	8.0	5.2		130
135	16.6	16.4	12.4	9.6	7.8	5.2		135
140	15.0	16.0	12.2	9.6	7.6	5.2	3.2	140
145	13.2	15.2	12.2	9.6	7.4	5.2	3.2	145
150	11.8	13.6	12.2	9.6	7.2	5.0	3.0	150
155	10.2	12.2	12.2	9.6	7.2	4.8	2.8	155
160	9.0	10.8	11.8	9.6	7.0	4.6	2.6	160
165	7.6	9.4	11.2	9.4	6.8	4.4	2.4	165
170	6.4	8.2	10.6	9.0	6.6	4.2	2.2	170
175	5.2	7.0	9.4	8.8	6.6	4.0	2.2	175
180		6.0	8.2	8.4	6.4	4.0	2.0	180
185		4.8	7.2	8.2	6.2	3.8		185
190		3.8	6.0	7.4	6.2	3.6		190
195		2.8	5.2	6.4	6.0	3.6		195
200			4.2	5.4	5.8	3.4		200
205			3.2	4.4	5.6	3.2		205
210			2.4	3.6	4.6	3.2		210
215				2.8	3.8	3.0		215
220					3.0	3.0		220
225					2.2	2.8		225
230						2.8		230
235						2.6		235

Counterweight **88,2\*** lbs

Radius ft	Main boom length - 174'							Radius ft
	33 ft	56 ft	79 ft	102 ft	125 ft	148 ft	171 ft	
45	35.8							45
50	34.0							50
55	32.2							55
60	30.8	21.8						60
65	29.6	21.0						65
70	28.4	20.4						70
75	27.4	19.8	14.8					75
80	26.6	19.2	14.4					80
85	26.0	18.6	14.0					85
90	25.2	18.2	13.8	10.8				90
95	24.6	17.8	13.4	10.6				95
100	23.4	17.6	13.2	10.4				100
105	20.4	17.2	13.0	10.2	8.6			105
110	17.8	17.0	12.8	10.2	8.4			110
115	15.4	16.8	12.8	10.0	8.4			115
120	13.4	16.0	12.6	9.8	8.4			120
125	11.4	14.0	12.4	9.8	8.2	5.4		125
130	9.6	12.0	12.4	9.8	8.0	5.2		130
135	8.0	10.4	12.4	9.6	7.8	5.2		135
140	6.4	8.8	11.6	9.6	7.6	5.2	3.2	140
145	5.2	7.2	10.0	9.6	7.4	5.2	3.2	145
150	3.8	6.0	8.6	9.6	7.2	5.0	3.0	150
155	2.6	4.6	7.2	8.8	7.2	4.8	2.8	155
160		3.4	6.0	7.4	7.0	4.6	2.6	160
165		2.4	4.8	6.2	6.8	4.4	2.4	165
170			3.8	5.2	6.4	4.2	2.2	170
175			2.8	4.0	5.4	4.0	2.2	175
180				3.0	4.4	4.0	2.0	180
185				2.2	3.4	3.8		185
190					2.4	3.6		190
195						3.6		195
200						2.8		200



79 - 155 ft



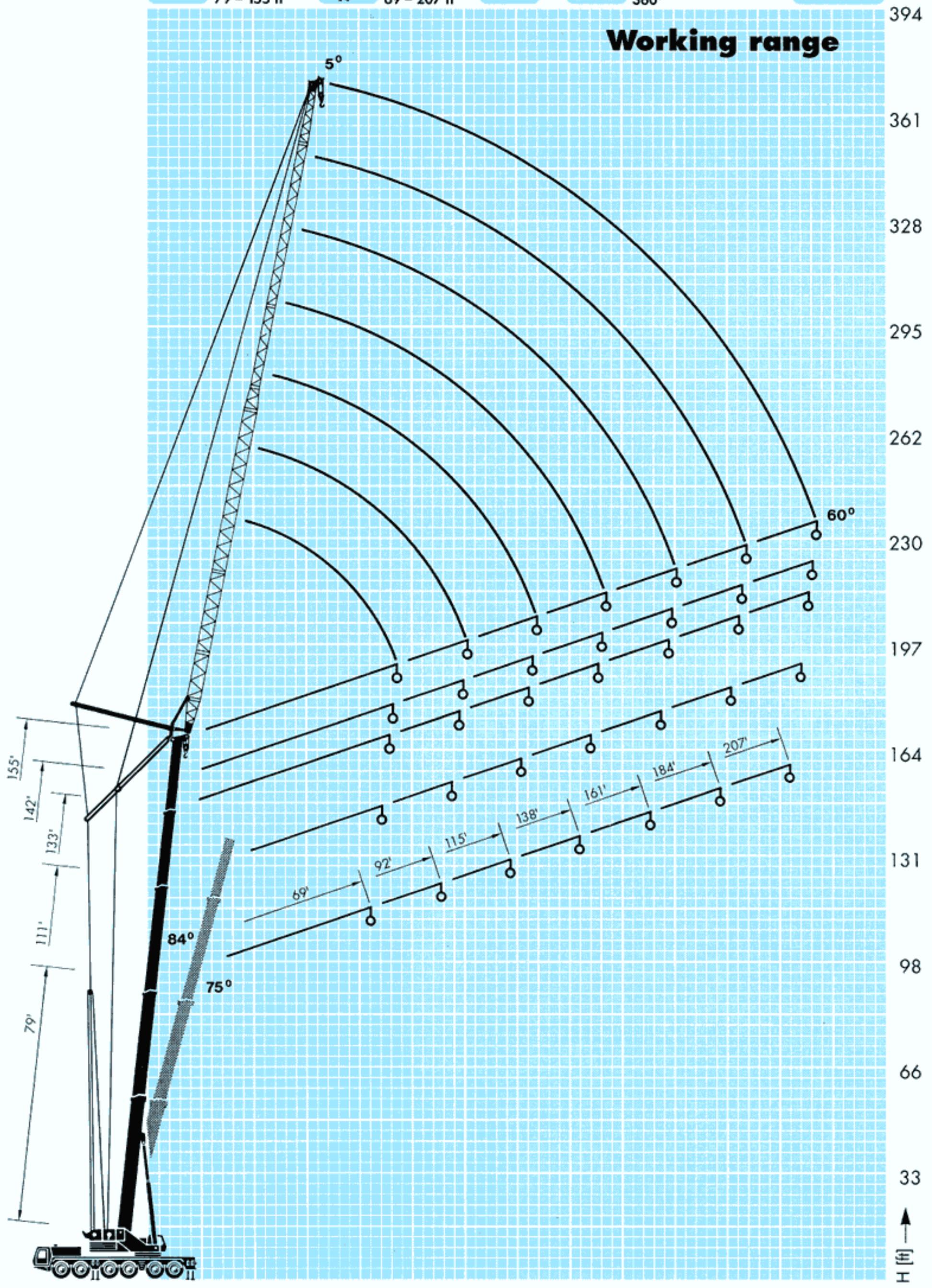
69 - 207 ft



360°

132\*

# Working range



# Main boom + luffing jib

Lifting capacities in 1000 lbs  
Main boom at 75°



79 ft **132\*** lbs 360°



111 ft **132\*** lbs 360°

Radius ft	Fly jib length							Radius ft		
	69 ft	92 ft	115 ft	138 ft	161 ft	184 ft	207 ft			
60	77.5							60		
65	73.5	60.6						65		
70	68.3	59.9						70		
75	63.3	59.1						75		
80	58.5	57.4	43.0					80		
85	54.3	53.2	43.0	32.0				85		
90		49.8	43.0	32.0				90		
95		46.9	43.0	31.7				95		
100		44.2	42.4	31.3	24.3			100		
105		41.2	40.6	31.1	24.3			105		
110			38.2	31.1	24.3			110		
115			36.1	31.1	24.3	17.6		115		
120			34.1	31.1	24.2	17.6	10.1	120		
125			32.3	31.1	24.0	17.6	10.1	125		
130			30.6	29.8	23.9	17.6	10.1	130		
135				28.4	23.7	17.6	10.1	135		
140				27.0	23.5	17.6	10.1	140		
145				25.6	23.3	17.6	10.1	145		
150				24.7	23.0	17.6	10.1	150		
155					22.5	17.6	10.1	155		
160					21.7	17.6	10.1	160		
165					20.6	17.6	10.1	165		
170					19.7	17.6	10.1	170		
175					18.7	17.5	10.1	175		
180						16.9	10.1	180		
185						16.1	10.1	185		
190						15.5	10.1	190		
195						14.8	10.1	195		
200							10.1	200		
205							10.1	205		
210							10.1	210		
215							10.1	215		
220								220		
225								225		
%	T1	50	50	50	50	50	50	50	T1	%
	T2	50	50	50	50	50	50	50	T2	
	T3	0	0	0	0	0	0	0	T3	
	T4	0	0	0	0	0	0	0	T4	

Radius ft	Fly jib length							Radius ft		
	69 ft	92 ft	115 ft	138 ft	161 ft	184 ft	207 ft			
65	51.8							65		
70	48.9							70		
75	46.5							75		
80	44.5	41.9						80		
85	41.6	40.2						85		
90	39.6	38.4						90		
95		36.4	31.7					95		
100		35.0	31.6	23.8				100		
105		33.5	31.1	23.8				105		
110		31.8	30.1	23.5				110		
115		30.3	29.0	23.4	18.1			115		
120			27.8	23.4	17.8	13.9		120		
125			26.6	23.4	17.2	13.9		125		
130			25.6	23.4	16.8	13.9		130		
135			14.6	23.4	16.7	13.5	9.0	135		
140				23.2	16.7	12.9	9.0	140		
145				22.6	16.7	12.1	9.0	145		
150				21.4	16.7	11.9	9.0	150		
155				20.3	16.7	11.9	9.0	155		
160				19.4	16.7	11.9	9.0	160		
165				18.7	16.7	11.9	9.0	165		
170					16.7	11.7	9.0	170		
175					16.0	11.7	9.0	175		
180					15.3	11.7	9.0	180		
185						11.7	9.0	185		
190						11.7	9.0	190		
195						11.7	9.0	195		
200						11.5	9.0	200		
205						11.0	9.0	205		
210						10.4	9.0	210		
215							9.0	215		
220							8.7	220		
225							8.2	225		
230							7.7	230		
%	T1	100	100	100	100	100	100	100	T1	%
	T2	100	100	100	100	100	100	100	T2	
	T3	0	0	0	0	0	0	0	T3	
	T4	0	0	0	0	0	0	0	T4	



133 ft **132\*** lbs 360°



142 ft **132\*** lbs 360°

Radius ft	Fly jib length							Radius ft		
	69 ft	92 ft	115 ft	138 ft	161 ft	184 ft	207 ft			
80	35.5							80		
85	33.6	28.4						85		
90	32.1	28.4						90		
95	30.5	28.1						95		
100		27.4	21.2					100		
105		26.0	21.2	15.9				105		
110		24.5	21.2	15.9				110		
115		23.5	21.2	15.9				115		
120		22.7	20.8	15.9	11.5			120		
125		22.3	20.5	15.9	11.5			125		
130			19.4	15.9	11.5			130		
135			18.7	15.9	11.5	8.8		135		
140			18.0	15.9	11.5	8.8	7.1	140		
145			17.4	15.9	11.5	8.8	7.1	145		
150				15.9	11.5	8.8	7.1	150		
155				15.9	11.5	8.8	7.1	155		
160				15.9	11.1	8.8	7.1	160		
165				15.7	11.1	8.8	7.1	165		
170				15.4	11.1	8.8	7.1	170		
175					11.1	8.8	7.1	175		
180					11.1	8.8	7.1	180		
185					11.1	8.8	7.1	185		
190					11.1	8.8	7.1	190		
195						8.8	7.1	195		
200						8.8	7.1	200		
205						8.8	7.1	205		
210						8.8	7.1	210		
215							7.1	215		
220							7.1	220		
225							7.1	225		
230							6.6	230		
235							6.0	235		
240								240		
%	T1	100	100	100	100	100	100	100	T1	%
	T2	100	100	100	100	100	100	100	T2	
	T3	70	70	70	70	70	70	70	T3	
	T4	0	0	0	0	0	0	0	T4	

Radius ft	Fly jib length							Radius ft		
	69 ft	92 ft	115 ft	138 ft	161 ft	184 ft	207 ft			
80								80		
85	30.0							85		
90	28.7							90		
95	27.4	24.0						95		
100	26.0	24.0						100		
105	24.7	23.8	17.9					105		
110		22.8	17.9					110		
115		21.4	17.9	13.2				115		
120		20.2	17.9	13.2				120		
125		20.0	17.9	13.2	9.5			125		
130			17.4	13.2	9.5			130		
135			16.9	13.2	9.5			135		
140			16.1	13.2	9.5	6.2		140		
145			15.6	13.2	9.5	6.2	3.7	145		
150			14.8	13.2	9.5	6.2	3.7	150		
155				13.2	9.5	6.2	3.7	155		
160				13.2	9.5	6.2	3.7	160		
165				13.2	9.5	6.2	3.7	165		
170				13.2	9.5	6.2	3.7	170		
175					9.5	6.2	3.7	175		
180					9.5	6.2	3.7	180		
185					9.5	6.2	3.7	185		
190					9.5	6.2	3.7	190		
195					9.5	6.2	3.7	195		
200						6.2	3.7	200		
205						6.2	3.7	205		
210						6.2	3.7	210		
215							3.7	215		
220							3.7	220		
225							3.7	225		
230							3.7	230		
235								235		
240								240		
%	T1	100	100	100	100	100	100	100	T1	%
	T2	100	100	100	100	100	100	100	T2	
	T3	100	100	100	100	100	100	100	T3	
	T4	0	0	0	0	0	0	0	T4	

\*1000 lbs

# Main boom + luffing jib

Lifting capacities in 1000 lbs  
Main boom at 84°





79 ft **57.3\*** lbs

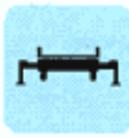
Radius ft	Fly jib length							Radius ft		
	69 ft	92 ft	115 ft	138 ft	161 ft	184 ft	207 ft			
35	87.8							35		
40	86.9	66.0						40		
45	85.2	65.2	49.6					45		
50	82.1	64.4	49.6					50		
55	76.3	63.5	49.2	36.3				55		
60	68.2	62.4	48.5	36.1	27.6			60		
65	61.5	59.8	48.5	36.0	27.6	19.8		65		
70		55.1	48.5	35.9	27.6	19.8		70		
75		50.5	47.6	35.8	27.6	19.8	11.5	75		
80		46.3	45.5	35.7	27.6	19.8	11.5	80		
85		42.1	42.1	35.7	27.6	19.8	11.5	85		
90			38.9	35.7	27.6	19.8	11.5	90		
95			36.1	34.7	27.6	19.8	11.5	95		
100			33.7	32.8	27.6	19.8	11.5	100		
105			31.3	30.6	27.6	19.8	11.5	105		
110				28.6	27.4	19.8	11.5	110		
115				26.8	26.1	19.8	11.5	115		
120				25.2	24.6	19.8	11.5	120		
125				23.5	23.1	19.8	11.5	125		
130				21.8	21.7	19.8	11.5	130		
135					20.5	19.3	11.5	135		
140					19.3	18.4	11.5	140		
145					18.1	17.3	11.5	145		
150					17.0	16.3	11.5	150		
155						15.3	11.5	155		
160						14.4	11.5	160		
165						13.5	11.5	165		
170						12.9	11.5	170		
175							11.1	175		
180							10.6	180		
185							10.0	185		
190							9.5	190		
%	T1	50	50	50	50	50	50	50	T1	%
	T2	50	50	50	50	50	50	50	T2	
	T3	0	0	0	0	0	0	0	T3	
	T4	0	0	0	0	0	0	0	T4	





111 ft **57.3\*** lbs

Radius ft	Fly jib length							Radius ft		
	69 ft	92 ft	115 ft	138 ft	161 ft	184 ft	207 ft			
35								35		
40	58.4							40		
45	58.4	42.3						45		
50	58.4	42.3						50		
55	58.4	42.3	32.0					55		
60	58.1	42.3	32.0	24.3				60		
65	56.4	42.3	32.0	24.3	18.7			65		
70	51.8	42.3	32.0	24.3	18.7			70		
75		42.3	32.0	24.3	18.7	14.3		75		
80		41.7	32.0	24.3	18.7	14.3	8.8	80		
85		39.4	32.0	24.3	18.7	14.3	8.8	85		
90		36.6	32.0	24.3	18.7	14.3	8.8	90		
95			31.8	24.3	18.7	14.3	8.8	95		
100			30.8	24.3	18.7	14.3	8.8	100		
105			28.7	24.3	18.7	14.3	8.8	105		
110			26.8	24.3	18.7	14.3	8.8	110		
115				23.9	18.7	14.3	8.8	115		
120				23.0	18.7	14.3	8.8	120		
125				21.5	18.7	14.3	8.8	125		
130				20.4	18.7	14.3	8.8	130		
135					18.7	14.3	8.8	135		
140					17.2	14.3	8.8	140		
145					16.2	14.3	8.8	145		
150					15.2	14.3	8.8	150		
155					14.3	13.5	8.8	155		
160						12.7	8.8	160		
165						12.0	8.8	165		
170						11.1	8.8	170		
175						10.4	8.8	175		
180							8.7	180		
185							8.5	185		
190							8.0	190		
195							7.5	195		
%	T1	100	100	100	100	100	100	100	T1	%
	T2	100	100	100	100	100	100	100	T2	
	T3	0	0	0	0	0	0	0	T3	
	T4	0	0	0	0	0	0	0	T4	


133 ft **57.3\*** lbs

Radius ft	Fly jib length							Radius ft		
	69 ft	92 ft	115 ft	138 ft	161 ft	184 ft	207 ft			
40	38.1							40		
45	38.1	28.4						45		
50	38.1	28.4						50		
55	38.1	28.4	21.4					55		
60	38.1	28.4	21.4	16.1				60		
65	38.1	28.4	21.4	16.1	13.2			65		
70	38.1	28.4	21.4	16.1	13.2			70		
75		28.4	21.4	16.1	13.2	9.5		75		
80		28.4	21.4	16.1	13.2	9.5	6.6	80		
85		28.4	21.4	16.1	13.2	9.5	6.6	85		
90		28.4	21.4	16.1	13.2	9.5	6.6	90		
95			21.4	16.1	13.2	9.5	6.6	95		
100			21.4	16.1	13.2	9.5	6.6	100		
105			21.4	16.1	13.2	9.5	6.6	105		
110			21.4	16.1	13.2	9.5	6.6	110		
115				16.1	13.2	9.5	6.6	115		
120				16.1	13.2	9.5	6.6	120		
125				16.1	13.2	9.5	6.6	125		
130				16.1	13.2	9.5	6.6	130		
135				16.1	13.2	9.5	6.6	135		
140					13.2	9.5	6.6	140		
145					13.2	9.5	6.6	145		
150					13.2	9.5	6.6	150		
155					13.2	9.5	6.6	155		
160						9.5	6.6	160		
165						9.5	6.6	165		
170						9.5	6.6	170		
175						9.3	6.6	175		
180							6.6	180		
185							6.6	185		
190							6.6	190		
195							6.4	195		
%	T1	100	100	100	100	100	100	100	T1	%
	T2	100	100	100	100	100	100	100	T2	
	T3	70	70	70	70	70	70	70	T3	
	T4	0	0	0	0	0	0	0	T4	





142 ft **57.3\*** lbs

Radius ft	Fly jib length							Radius ft		
	69 ft	92 ft	115 ft	138 ft	161 ft	184 ft	207 ft			
40								40		
45	32.0							45		
50	32.0							50		
55	32.0	24.0						55		
60	32.0	24.0	18.1					60		
65	32.0	24.0	18.1	13.4				65		
70	32.0	24.0	18.1	13.4				70		
75	32.0	24.0	18.1	13.4	11.0			75		
80		24.0	18.1	13.4	11.0	6.2		80		
85		24.0	18.1	13.4	11.0	6.2	4.0	85		
90		24.0	18.1	13.4	11.0	6.2	4.0	90		
95		24.0	18.1	13.4	11.0	6.2	4.0	95		
100			18.1	13.4	11.0	6.2	4.0	100		
105			18.1	13.4	11.0	6.2	4.0	105		
110			18.1	13.4	11.0	6.2	4.0	110		
115			18.1	13.4	11.0	6.2	4.0	115		
120				13.4	11.0	6.2	4.0	120		
125				13.4	11.0	6.2	4.0	125		
130				13.4	11.0	6.2	4.0	130		
135				13.4	11.0	6.2	4.0	135		
140				13.4	11.0	6.2	4.0	140		
145				13.4	11.0	6.2	4.0	145		
150					11.0	6.2	4.0	150		
155					11.0	6.2	4.0	155		
160					11.0	6.2	4.0	160		
165					11.0	6.2	4.0	165		
170						6.2	4.0	170		
175						6.2	4.0	175		
180						6.2	4.0	180		
185							4.0	185		
190							4.0	190		
195							4.0	195		
200							4.0	200		
%	T1	100	100	100	100	100	100	100	T1	%
	T2	100	100	100	100	100	100	100	T2	
	T3	100	100	100	100	100	100	100	T3	
	T4	0	0	0	0	0	0	0	T4	

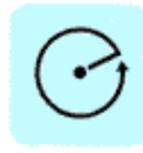
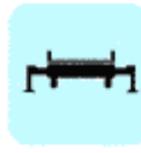
# Main boom + luffing jib

Lifting capacities in 1000 lbs

Main boom at 84°



155 ft



360°

**57.3\*** lbs

Radius ft	Fly jib length							Radius ft		
	69 ft	92 ft	115 ft	138 ft	161 ft	184 ft	207 ft			
45	24.2							45		
50	24.2							50		
55	24.2	17.8						55		
60	24.2	17.8	13.0					60		
65	24.2	17.8	13.0	9.5				65		
70	24.2	17.8	13.0	9.5				70		
75	24.2	17.8	13.0	9.5	7.5			75		
80		17.8	13.0	9.5	7.5	5.1		80		
85		17.8	13.0	9.5	7.5	5.1	2.2	85		
90		17.8	13.0	9.5	7.5	5.1	2.2	90		
95		17.8	13.0	9.5	7.5	5.1	2.2	95		
100			13.0	9.5	7.5	5.1	2.2	100		
105			13.0	9.5	7.5	5.1	2.2	105		
110			13.0	9.5	7.5	5.1	2.2	110		
115			13.0	9.5	7.5	5.1	2.2	115		
120				9.5	7.5	5.1	2.2	120		
125				9.5	7.5	5.1	2.2	125		
130				9.5	7.5	5.1	2.2	130		
135				9.5	7.5	5.1	2.2	135		
140				9.5	7.5	5.1	2.2	140		
145				9.5	7.5	5.1	2.2	145		
150					7.5	5.1	2.2	150		
155					7.5	5.1	2.2	155		
160					7.5	5.1	2.2	160		
165					7.5	5.1	2.2	165		
170						5.1	2.2	170		
175						5.1	2.2	175		
180						5.1	2.2	180		
185							2.2	185		
190							2.2	190		
195							2.2	195		
200							2.2	200		
%	T1	100	100	100	100	100	100	100	T1	%
	T2	100	100	100	100	100	100	100	T2	
	T3	70	70	70	70	70	70	70	T3	
	T4	70	70	70	70	70	70	70	T4	

\*1000 lbs

## Notes for lifting capacities

Rated loads do not exceed 85% of tipping load with the machine properly levelled on firm ground.

360° duties – on outriggers fully extended.

Note counterweight required as listed in relevant lifting capacity columns.

For safe crane operation due allowance must be made to compensate for high winds, side load, pendulum action and other hazardous conditions. No side pull permitted.

Hook blocks, sling and/or boom attachments are considered part of load, and their weight must be deducted from the rated lifting capacity to determine the net load.

Boom must be extended in accordance with sequence as noted on lifting capacity chart.

Consult crane manual to determine weight reduction for load handling devices and boom attachments.

Operate crane strictly in compliance with operator's manual.

# Main boom + luffing jib

Lifting capacities in 1000 lbs

Main boom at 75°



155 ft



360°

**132\*** lbs

Radius ft	Fly jib length							Radius ft		
	69 ft	92 ft	115 ft	138 ft	161 ft	184 ft	207 ft			
80								80		
85	24.7							85		
90	24.7							90		
95	24.4							95		
100	23.7	17.9						100		
105	22.7	17.9						105		
110		17.9						110		
115		17.9	13.0					115		
120		17.8	13.0	9.5				120		
125		17.6	13.0	9.5				125		
130			13.0	9.5	7.5			130		
135			13.0	9.5	7.5			135		
140			13.0	9.5	7.5			140		
145			13.0	9.5	7.5	4.9		145		
150			12.8	9.5	7.5	4.9	2.9	150		
155				9.5	7.5	4.9	2.9	155		
160				9.5	7.5	4.9	2.9	160		
165				9.5	7.5	4.9	2.9	165		
170				9.5	7.5	4.9	2.9	170		
175				9.5	7.5	4.9	2.9	175		
180					7.5	4.9	2.9	180		
185					7.5	4.9	2.9	185		
190					7.5	4.9	2.9	190		
195					7.5	4.9	2.9	195		
200						4.9	2.9	200		
205						4.9	2.9	205		
210						4.9	2.9	210		
215							2.9	215		
220							2.9	220		
225							2.9	225		
230							2.9	230		
235								235		
240								240		
<b>%</b>	T1	100	100	100	100	100	100	100	T1	<b>%</b>
	T2	100	100	100	100	100	100	100	T2	
	T3	70	70	70	70	70	70	70	T3	
	T4	70	70	70	70	70	70	70	T4	

\*1000 lbs

## Notes for lifting capacities

Rated loads do not exceed 85% of tipping load with the machine properly levelled on firm ground.

360° duties – on outriggers fully extended.

Note counterweight required as listed in relevant lifting capacity columns.

For safe crane operation due allowance must be made to compensate for high winds, side load, pendulum action and other hazardous conditions. No side pull permitted.

Hook blocks, sling and/or boom attachments are considered part of load, and their weight must be deducted from the rated lifting capacity to determine the net load.

Boom must be extended in accordance with sequence as noted on lifting capacity chart.

Consult crane manual to determine weight reduction for load handling devices and boom attachments.

Operate crane strictly in compliance with operator's manual.

# Weights / Working speeds



Axle	1	2	3	4	5	6	Total weight
1000 lbs	26,5	26,5	26,5	26,5	26,5	26,5	159,0



Lifting capacity	Sheaves	Parts of line	Weight lbs
150	7	2 - 15	5730
110	5	2 - 11	3300
70	3	1 - 7	2200
30	1	1 - 3	1320



Gear	1	2	3	4	5	R	Gradeability max.
On-Road (mph)	8	13	21	30	42	9	
Off-Road (mph)	4,5	7,5	12	17,5	24,5	5	47%
Tires	14.00 R 25						



Drives	ininitely variable	Rope diameter / Rope length	Max. single line pull
Main hoist	0 - 426 ft / min single line	24 mm (1") 1000 ft	21,600 lbs
Auxiliary hoist	0 - 426 ft / min single line	24 mm (1") 1100 ft	21,600 lbs
Slewing gear	0 - 1,6 min <sup>-1</sup>		
Boom elevation	approx. 78 s from - 1,2° + 85° boom angle		
Telescoping	approx. 165 s from 49 to 143 ft 340 s from 49 to 174 ft boom length		



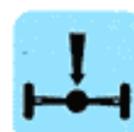
Telescopic boom



On outriggers



Working range



Axle load



Hook blocks and hook



Crane movements



Speed



Boom extension

# Carrier

<b>Chassis:</b>	Special KRUPP 6-axle carrier, all-welded torsion-resistant box-type construction in high strength steel.
<b>Outriggers:</b>	4 double hydraulically telescoping beams with vertical cylinders and outrigger pads. Independent horizontal and vertical movement control on each side of the chassis.
<b>Engine:</b>	Mercedes-Benz OM 444 A diesel, 12 cylinders, water-cooled, 406 kW (552 HP) at 2100 min <sup>-1</sup> (DIN 6271 IFN). Max. torque: 2400 Nm at 1000 – 1500 min <sup>-1</sup> . Tank capacity: approx. 125 gal.
<b>Transmission:</b>	Allison 5-gear-automatic powershift.
<b>Transfer case:</b>	Transfer case with 2 speeds and longitudinal differential lock.
<b>Axle lines:</b>	6 axle lines; 1st, 2nd, 3rd, 5th and 6th steering axle lines; 1st, 2nd, 4th and 5th driven axle line.
<b>Suspension:</b>	All axle lines with hydropneumatic suspension and axle lock-out. Level regulation. Suspension range: +6 1/2" / - 5". Possible combinations for transverse slope.
<b>Tires:</b>	12 tires 14.00 R 25.
<b>Steering:</b>	ZF dual-circuit hydraulic power assisted steering.
<b>Brakes:</b>	Service brake: pneumatic dual-circuit, acting on all wheels, air dryer. Permanent brake: hydraulic retarder integrated with Allison automatic transmission, exhaust brake. Hand brake: pneumatically operated springloaded brake acting on 2nd, 4th, 5th and 6th axle line.
<b>Driver's cab:</b>	<b>Aluminium</b> , 2-man-design, safety glass, driver's seat with hydraulic suspension, engine hot-water heating. Complete instrumentation and driving controls.
<b>Electrical system:</b>	Three-phase generator 28 V/55 A, 2 batteries 12 V/170 Ah, lighting system and signals.

## Superstructure

<b>Frame:</b>	KRUPP-made, torsion-resistant welded construction in high strength steel.
<b>Engine:</b>	Mercedes-Benz OM 447 A diesel, 6 cylinders, water-cooled, 213 kW (290 HP) at 1800 min <sup>-1</sup> (DIN 6271 IFN). Max. torque: 1270 Nm at 1000 – 1600 min <sup>-1</sup> . Tank capacity: 75 gal.
<b>Hydraulic system:</b>	4 separate circuits, 3 axial piston variable displacement pumps in open circuit with electronic engine speed related pump control and 1 axial piston variable displacement pump in closed circuit. Tank capacity: 500 gal hydraulic oil.
<b>Control system:</b>	Infinite variation of all crane movements by electrically, controlled hydraulic pilot circuit and control levers with automatic reset to zero.
<b>Main hoist:</b>	Axial-piston variable displacement motor with planetary gear and automatic brake.
<b>Boom elevation:</b>	1 cylinder with safety check valve, boom angle from -1,2° to +84°.
<b>Swing:</b>	2 axial piston fixed displacement motors, planetary gear, holding brake and service brake.
<b>Cab:</b>	<b>Aluminium</b> , full vision, safety glass, adjustable operator's seat with hydraulic suspension, engine hot-water-heating. Armrest integrated crane controls. Ergonomically arranged instrumentation and crane operating controls.
<b>Safety installations:</b>	Hoist and lowering limit switch, pipe burst safety valves, pressure relief valves.
<b>Telescopic boom:</b>	Welded construction in high strength steel, 1 base section, 4 telescopic sections. Total boom length: 174 ft, all-hydraulic extension under partial load.
<b>Electrical system:</b>	Three-phase generator 28 V/55 A, 2 batteries 12 V/143 Ah.

## Additional equipment

<b>Tires:</b>	12 tires, 16.00 R 25. / 20.5 R 25
<b>Boom extension:</b>	Lattice design, 33 – 171 ft, in section of 23 ft.
<b>Luffing jib:</b>	Lattice design, 69 – 207 ft, in section of 23 ft.
<b>Aux. hoist:</b>	2nd hoisting gear.
<b>Safe load indicator:</b>	Electronic load moment safety device (type EKS 83) with automatic cut-out and digital display for actual and admissible load, radius and various working conditions.
<b>Driver's cab:</b>	Engine-independent heater, also to be used as engine preheater.

Further equipment upon request.

Subject to change without notice.

 **KRUPP CRANES** NORTH AMERICA, inc.

210 VANDALE DRIVE HOUSTON (PITTSBURGH), PA 15342 PHONE 412-746-9360 • FAX 412-746-9350

PITTSBURGH, PA • HOUSTON, TX • ATLANTA, GA • SEATTLE, WA • TORONTO, ONTARIO